



2-LITE PATIO DOOR 3-LITE PATIO DOOR

ASSEMBLY AND INSTALLATION INSTRUCTIONS

GARDEN DOOR

INSTALLATION INSTRUCTIONS

IMPORTANT NOTE FOR ALL PRODUCTS:

ALL PRODUCTS: No Matter the Installation Option used (adding a nailing fin, surround flange, or stucco flange); the anchorage will remain the same. All Simonton StormBreaker Plus® vinyl products have been certified in a specific manner using the anchorage configurations stated in this document. Adding anchorage or exceeding other installation applications is acceptable as long as the required minimum anchorages are met. Simonton Windows® will not be responsible for any deviations from these requirements resulting in property damage or personal injury resulting from poor installation.

Simonton StormBreaker Plus® 300VL Installation Instructions.....2-3

300VL 2-lite Patio Door Assembly Instructions..... 4-9

300VL 2-lite Patio Door Installation Instructions..... 10-11

300VL 3-lite Patio Door Assembly Instructions..... 12-17

300VL 3-lite Patio Door Installation Instructions..... 18-19

300VL Garden Door Installation Instructions..... 20-21



Simonton StormBreaker Plus® Vinyl Products

IMPORTANT INFORMATION: Please note that the following installation recommendations reflect the performance requirements (Missile D) as tested in coastal regions. For Florida customers, please reference the appropriate FL product approval number as listed on the temporary NFRC label. For additional anchorage requirements in the Florida market please reference www.floridabuilding.org. For additional anchorage requirements in the Texas market please reference www.tdi.state.tx.us

ALL PRODUCTS: No matter the installation frame type used (Replacement, New Construction, Integral Flange and/or Applied Replacement Flange); the anchorage will remain the same. All Simonton StormBreaker Plus® vinyl products have been certified in a specific manner using the anchorage configurations stated in this document. Adding anchorage or exceeding other installation applications (i.e., through a nail fin) is acceptable as long as the required minimum anchorages through the frame are met. Simonton Windows® will not be responsible for any deviations from these requirements resulting in property damage or personal injury resulting from poor installation.

ANCHORAGE SPACING: In order to maintain accuracy and compliance with required installation of the Simonton StormBreaker Plus® vinyl products, Simonton has provided this document to its customers. It is vital that the installers follow the installation requirements as a minimum. Simonton Windows® will not take responsibility for any deviation from the enclosed instructions. It is imperative that the Florida Professional Engineer's anchorage drawings AND the applicable hardware anchorage instructions outlined in this document are followed.

ANCHORAGE TYPE: The type and size of fastener will be determined based on the specific opening conditions. Some applications require tapcon type anchorage ONLY, so please refer to the individual product installation requirements in this document for this information. Various field conditions may require a larger screw or even a tapcon type anchor if, for example, the wood buck used is less than a 2-by. If there is any doubt concerning the embedment depth, we recommend you use tapcon type anchors long enough to ensure the 1-1/2" embedment into the substrate for the impact application on all products.

ANCHORAGE APPLICATION: Sealant is recommended in each installation hole before and after installing the anchorage. For a more pleasing appearance, use installation hole covers to hide the screw head on the picture windows.

LABELING: Simonton Windows® will attach one permanent label that clearly shows the name Simonton StormBreaker Plus®, Simonton or Simonton Windows® (AAMA Sticker). Simonton Windows® will place additional removable labels to reflect thermal values when applicable.

INSTALLATION INSTRUCTIONS for Simonton StormBreaker Plus® 300VL Doors 2-lite Patio Door, 3-lite Patio Door and Garden Door

NOTE: *Other instructions beyond this section may be required. Those instructions are also included in this document.*

To ensure that our products maintain their structural performance, installation must be followed exactly. Simonton cannot assume the responsibility of failed performance if the products are not installed according to specifications laid out by State or Local Code requirements. As such, each product has a specific number of screws required in the head, and jambs and in some products, the sill. To ensure the performances of each product are met, each location must be utilized. Frame to opening anchorage type is specifically noted on the drawings included in this document, as well as any necessary hardware anchorage to the opening.

Note: Product anchors shall be as listed and the spacing is expressed in writing. The detail drawing and or written documents reflect the maximum spacing as required by code, but installers may reduce the distance between the required anchorage spacing if desired as long as that distance is smaller than the required distance. The smaller the distance between screw locations, the more screws will be required. In no case will the distance of the anchorage be greater than the required spacing set forth in the document.

1. Begin by measuring the window opening. Measure at three locations: top, middle, and bottom of the opening on width, and right, center and left on height. Use the smallest of these measurements to determine the width and height. Do not remove the old window until the dimensions of the new window have been verified to fit the opening properly and you have all the accessories.

Accessories are available from Simonton to ease the installation and finishing of the new window. The accessories would also include tedlar tape and installation hole covers. For more information, contact your Simonton Windows supplier.

2. Remove the old window and prepare the opening by ensuring the existing wood buck will support both exterior and interior leg depth of the window. If the wood buck does not support the entire span of the window or the wood buck is in a condition that will not allow for proper transferring of load, you will need to replace the wood buck at the head, jambs, and sill locations. Also at this point, level the sill if necessary. It is important to remember that the window must fit the opening plumb, level, and square, even though the opening may not be any of these. If the window is not plumb, level and square the following problems may occur:
 - Double Hung sash may be difficult or impossible to remove.
 - The sash pivot bar on Double Hung windows could bind and cause the sash to become inoperative
 - The overlapping interlocking meeting rail on Double Hung windows may not perform properly—allowing air and water infiltration, even if the sash is locked.
 - The weather stripping may not seal properly, allowing air and water infiltration.
 - The locking system may not engage properly.
3. Wrap the entire perimeter of the window with insulation.
4. Tilt the window up into the opening with the sash closed and locked. Set it in the wood buck.
5. Tighten the adjustment devices (alignment clips, jamb adjusters, etc.) and shim to hold the unit secure while checking it for plumb.
 - *To check plumb: Place a level vertically on both the interior and face of the left and right jamb. If the bubble indicator is centered, the unit is plumb.*
 - *To check level: Place a level along the sill. If the bubble indicator is centered, the unit is level.*
 - *To check square: Measure window frame diagonally. Measure from the top left corner of the frame to the bottom right corner and from the top right to bottom left. If the measurements are equal, the window is square. You can also check the squareness by closing the sash to the point it just meets the head or sill. If both sides of the sash meet the head or sill at the same time, the window is square.*
6. Check the sash where they meet the frame to be certain the weather stripping is sealing properly in all areas. Inspect all weather stripping to insure it has not pulled out of the receiver channel. To reinstall it, pull the stripping completely out of the channel then reinsert it by sliding the spline into the receiver channel. Check for an even reveal (gap) between the sash and the frame.
7. Once the window is plumb, level, and square, install appropriate installation screws at all anchorage locations as specified by Simonton Windows, which, if requested, will be clearly marked by pre-drilled holes, or expressly written and drawn. A screw must be used at each of these locations without exception. Please see below. The location and anchorage types are included in the enclosed drawings. Ensure the top of the screw-head is flush with the vinyl surface, but **DO NOT OVER TIGHTEN THE SCREWS/TAPCON TYPE ANCHORS**, as this could cause the frame to bow. Recheck the sash for proper operation once the screws/tapcon type anchors have been installed. In the step down application, place sealant in the hole then install the tapcon type anchor or screw. Once the screw or tapcon type anchor is installed correctly, place additional sealant over the screw to fill the hole and cover/cap the installation holes when necessary. You can obtain the installation hole covers from your Simonton Window supplier.
8. Finish off the exterior and interior of the window. Trim the opening and cap off any gaps. Seal the entire perimeter of the window both interior and exterior with sealant, but do not seal over the weep holes.
9. Remember: The homeowner is the final inspector. Clean the window well and remove all debris from the job site. Be sure the homeowner is familiar with the proper operation and all the features of the window.

2-LITE PATIO DOOR

Assembly Instructions



IMPORTANT: Read the instructions and familiarize yourself with the door parts and pieces before beginning assembly and installation.

NOTE: Only the 5-0 x 6-8 and 6-0 x 6-8 doors are field reversible!

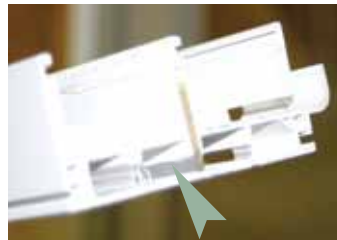
TOOLS NEEDED:

- Tape Measure
- 4' Level
- #2 Phillips Bit (4" in length)
- #3 Phillips Screwdriver
- Small Rubber Mallet
- Cordless Screw Gun
- 1/8" Drill Bit (4" in length)
- 3/32" Drill Bit
- Caulk Gun and Color-matched Silicone Caulk

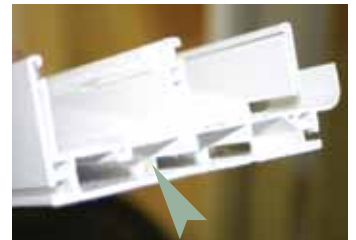
- 1** Prepare a clean flat work space for the door assembly. Remove the door frame and hardware from the packaging.



- 2** Remove all parts and pieces from the head, sill and jambs. Lay the frame out with the exterior side up, so it will be in the order it is going to be assembled. **NOTE: Make sure center reinforcement on sill does NOT cover the weep hole!**



Covered weep hole.



Correct placement of reinforcement.

- 3** Remove protective cover from the gasket on each end of the side jambs. Once the cover has been removed inspect gasket for damage. If gasket is damaged call your Simonton Dealer for further instructions.



- 4** Attach each jamb to the sill and head with three (3) #8 x 2-1/2" pan head screws through pre-drilled holes. Start screws in each pre-drilled screw hole by hand to assure proper screw alignment and prevent damage to the gasket. Be careful that you do not over tighten the screws, which could damage the frame.



5 Locate the pre-drilled installation screw holes in the bottom side of the sill. Remove the protective cover from one (1) side of the gasket. Apply one (1) gasket the width of the sill at every pre-drilled screw-hole location as shown in the picture at the right. The purpose of the gasket is to seal the threads of the installation screws in the sill. DO NOT remove the protective cover from the other side of the installation screw gaskets to prevent damaging the gasket while adjusting the frame in the opening.



NOTE: If the sill is to be used as a template to mark the screw locations using a masonry bit for a concrete floor application, do not install the gasket until after this is done to prevent damage to the gasket.

6 Check opening for proper size before installing frame. Check to see if the sill is level. If the sill is not level, correct at this time.



7 Install frame into opening. Shim frame so that it is plumb, level and square. Attach frame to opening using #12 corrosion-resistant flat head screws in a wood opening or 3/16" Tapcon® concrete screws in a masonry opening through the pre-drilled installation screw holes. Screws are required to have an embedment of 1-1/2" in wood or 1-1/4" in a masonry structural member. Shims should be placed at all anchorage locations of the jamb and head to prevent bowing of the frame.



8 Determine if the door was manufactured as a right or left opening unit. Install the aluminum sill insert in the exterior track so that it fits under the fixed panel. Locate the insert 1-1/2" from the end of the sill. Fasten the insert to the sill using six(6) - #8 x 1-1/4" flat head screws.



9 Install the aluminum jamb insert in the exterior track of the side jamb on the fixed panel side. Center the jamb insert from top to bottom. Fasten jamb insert to jamb using ten (10) - #8 x 1-1/4" flat head screws.



10

Install roller track. Before placing roller track in the sill, pre-drill six holes with a 1/8" drill bit—two (2) on the left 2" from the end, two (2) on the right 2" from the end and two (2) in the center, one on each side of the raise roller rail. Center the roller track in the pocket along the length of the sill and fasten with six (6) #6 x 1/2" screws. **Make sure not to cover weep holes in sill!**



NOTE: Remove roller track from the sill before pre-drilling the screw holes to prevent accidentally drilling completely through the frame. Weep holes indicated above.

11

To install the fixed panel, lift the top into the outer track of the head. Swing the bottom of the panel in and place into the sill track. Push panel into jamb making sure it is fully seated in the track.

NOTE: The four (4) weep holes may have been punched in only one end of each fixed panel. This end will always be installed toward the sill. The glazing bead around the perimeter of the glass will be toward the exterior.



12

After the fixed panel is in place, drill 1/8" pilot holes into the weather-strip track starting 6" from each end, with a maximum 12" spacing between the remaining screws. The drill bit needs to be a minimum of 4" in length to prevent damage to the frame. Install #8 x 7/8" self-drilling screws with a #6 flat head into each pilot hole.



13

Install pre-cut jamb cover in the interior track of the side jamb on the fixed panel side of the frame.



- 14** Install pre-cut 4-1/2" bumper stop in interior track of head and sill. The locking leg of the bumper stop is cut back on one end to allow for the nylon bracket. Caulk where the bumper stop meets the side jamb at the sill.



- 15** Install rollers in the bottom of panel using two (2) - #8 x 1/2" flat head screws in each roller. Locate the roller so the roller adjustment screw is toward the edge of panel. The back of the roller housing sets against an aluminum reinforcement in the roller cutout. Make sure the roller sets flat against the aluminum. If it does not, the panel could become difficult to operate.



- 16** To install the operating panel, lift the top into the interior track of the head. Swing the bottom of panel in and place it into the interior track of the sill (make sure the rollers are completely retracted before attempting to install).



- 17** Adjust the rollers using a standard Phillips head screwdriver until the panel is centered from top to bottom and the lock side of the panel is parallel with the side jamb. Check the operation of the panel to see if any further adjustments are necessary.



NOTE: Panel must be adjusted prior to installing the nylon bracket to access the roller adjustment.

- 18** Install nylon brackets in the top and bottom cutouts at the interlock area of the fixed panel. Brackets should rest against the bottom of the track in the head and sill. Screw each bracket in place using three (3) - #10 X 1-1/2" flat head screws. Pre-drill 1/8" holes before installing screws.



19

Install nylon brackets in the top and bottom of the operating panel. Screw each bracket in place using three (3) - #10 X 1-1/2" flat head screws. Pre-drill 1/8" pilot holes before installing screws. Install the first screw in the slot to allow for up and down adjustment. When locating the nylon bracket on the operable panel, make sure to leave adequate clearance between the roller track and the head of the door for proper panel operation. After properly adjusting the nylon bracket install the remainder of the screws.

**20**

Install the multi-point mortise latch into the cutout located in the edge of the operating panel using two (2) - #8 x 3/4" flat head screws. Make sure the holes in the face of the panel line up with the receivers for the handle set before fastening the mortise latch to the panel.

**21**

Install lock handle assembly. Refer to the instruction in the Handle Set package.

**22**

Install the keeper using four (4) - #8 x 1-3/4" pan head truss screws. The top and bottom screws should be installed first, located at the dimple areas. Adjust as needed for the lock to work properly and then install the remaining two screws.

**23**

Install screen. (Note: For optional Hide-A-Way screen, refer to instructions provided in screen package). Lay screen track into outside accessory track, making sure slots in track line up with weeps in track. Insert top of screen into head track, and then using an appropriate tool, insert bottom of screen into track. Adjust top and bottom rollers so screen is plumb and rolls freely.



24 Test fit screen keeper for proper alignment and install keeper into track using screws provided. Pre-drilling screw holes is recommended.



25 Install pre-cut jamb cover in outside track of side jamb on operable side.



26 Install pre-cut sill and head covers over the non-operating side of the door—top and bottom. Head and sill covers will be notched on the back side of one end to allow clearance for the nylon bracket.



NOTE: THE SILL THRESHOLD COVER COULD BE VINYL OR ALUMINUM, DEPENDING ON THE DOOR MODEL OR COLOR.

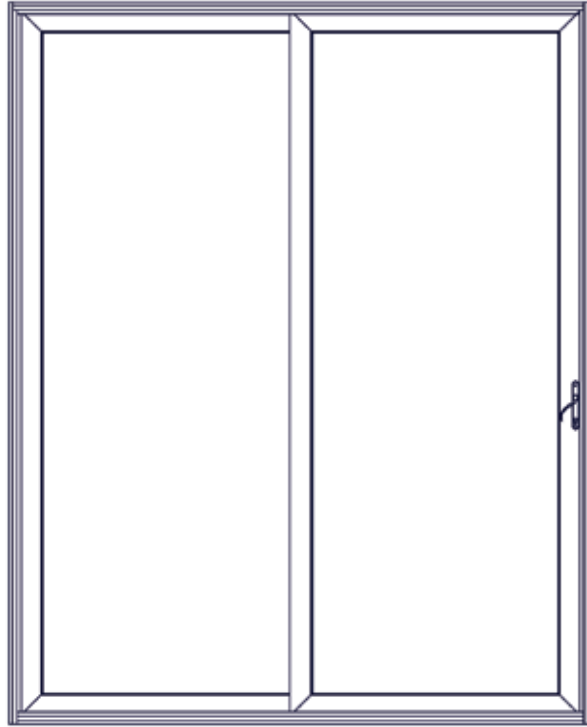


27 Finish off the installation of the door's exterior by caulking around the perimeter of the door using a premium silicone caulk. Do not leave any gaps where water or outside elements can penetrate into the home. Pay close attention to not caulk over weeps when caulking across the sill.



28 Finish off the installation of the door's interior by loosely inserting insulation between the door frame and the opening. Do not over pack the insulation or the frame could become bowed or twisted.

29 Remember: The homeowner is the final inspector. Clean the door well and remove all debris from the job site. Be sure the homeowner is familiar with the proper operation of door.

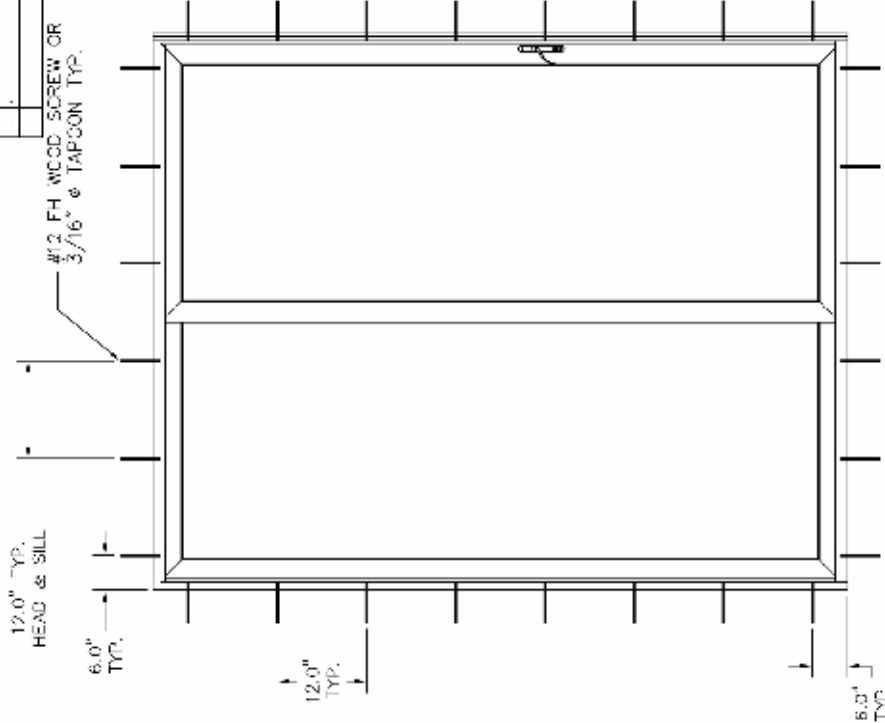
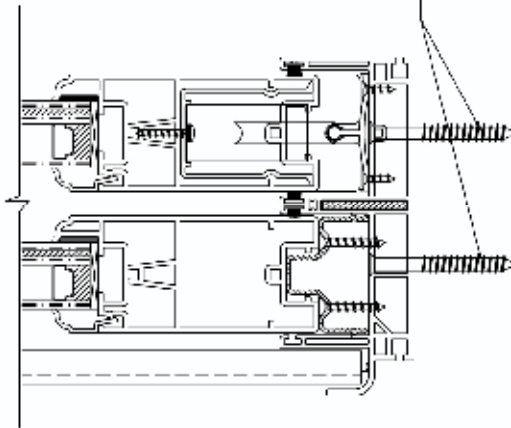


Simonton StormBreaker Plus® Vinyl 2-lite Patio Doors

- 6080 – 6068 – 5068 – 8068 – 8080
- 1” Insulating Glass Unit w/Warm-edge Spacer System
- PVB/Tempered
- Sealant Glazed
- Specific hardware must be anchored to the opening. Refer to written installation instructions on *the following page*, AND to applicable drawings sealed by a Florida professional engineer.

S OMBRELLA-R PLUS AND
FLORIDA CUSTOMERS
PATIO DOOR (FXC UDFS
PROFIN SH AND LUMINISS)
REFITROFIT ONLY
INSTALLATION PROCEDURE

- NOTES:
A. USE #12 FH WOOD SCREWS WITH 1-1/2" MIN. EMBEDMENT INTO SUBSTRUCTURE N 60" L TRACKS OF THE PATIO DOOR FRAME TO ANCHORS TO SUBSTRUCTURE (USE 3/16" DIA. TAPCON TYPE ANCHORS WITH 1-1/4" MIN. EMBEDMENT INTO MASONRY CONSTRUCTION)



REV.	REVISIONS	REVISED BY	DATE

DISCLOSURE STATEMENT
This document is the property of Simonon. Simonon, which is not a registered trademark, and the information contained herein is disclosed to you without any warranty, in whole or in part, for use in connection with the design, manufacture or installation of the product. The information contained in this document will be properly obtained from another source.

MATERIAL
MATERIAL: SIMONON
FINISH: WHITE
MEDIUM: SURFACE MESH
FINISH: WHITE

PRODUCTION INFORMATION
MATERIAL: SIMONON
FINISH: WHITE
MEDIUM: SURFACE MESH
FINISH: WHITE

DESIGNER INFORMATION
DESIGNER: ITT
SCALE: 1/4" = 1'-0"
SERIES: 11-1 PATIO DOOR
TITLE: INSTALLATION ASSEMBLY

REVISIONS
REV. NO. | DATE

3-LITE PATIO DOOR

Assembly Instructions



IMPORTANT: Read the instructions and familiarize yourself with the door parts and pieces before beginning assembly and installation.

TOOLS NEEDED:

- Tape Measure
- 4' Level
- #2 Phillips Bit (4" in length)
- #3 Phillips Screwdriver
- Small Rubber Mallet
- Cordless Screw Gun
- 1/8" Drill Bit (4" in length)
- 3/32" Drill Bit
- Caulk Gun and Color-matched Silicone Caulk

1 Prepare a clean flat work space for the door assembly. Remove the door frame and hardware from the packaging.



2 Remove all parts and pieces from the head, sill and jambs. Lay the frame out with the exterior side up, so it will be in the order it is going to be assembled.

3 Remove protective cover from the gasket on each end of the side jambs. Once the cover has been removed inspect gasket for damage. If gasket is damaged call your Simonton Dealer for further instructions.



4 Attach each jamb to the sill and head with three (3) #8 x 2-1/2" pan head screws through pre-drilled holes. Start screws in each pre-drilled screw hole by hand to assure proper screw alignment and prevent damage to the gasket. Be careful that you do not over tighten the screws, which could damage the frame.



5 Locate the pre-drilled installation screw holes in the bottom side of the sill. Remove the protective cover from one (1) side of the gasket. Apply one (1) gasket the width of the sill at every pre-drilled screw-hole location as shown in the picture at the right. The purpose of the gasket is to seal the threads of the installation screws in the sill. DO NOT remove the protective cover from the other side of the installation screw gaskets to prevent damaging the gasket while adjusting the frame in the opening.



NOTE: If the sill is to be used as a template to mark the screw locations using a masonry bit for a concrete floor application, do not install the gasket until after this is done to prevent damage to the gasket.

- 6** Check opening for proper size before installing frame. Check to see if the sill is level. If the sill is not level, correct at this time.



- 7** Install frame into opening. Shim frame so that it is plumb, level and square. Attach frame to opening using #12 corrosion-resistant flat head screws in a wood opening or 3/16" Tapcon® concrete screws in a masonry opening through the pre-drilled installation screw holes. Screws are required to have an embedment of 1-1/2" in wood or 1-1/4" in a masonry structural member. Shims should be placed at all anchorage locations of the jamb and head to prevent bowing of the frame.



- 8** Install the aluminum sill insert in the exterior track so that it fits under the fixed panel. Locate the insert 1-1/2" from the end of the sill. Fasten the insert to the sill using six (6) - #8 x 1-1/4" flat head screws.



- 9** Install the aluminum jamb insert in the exterior track of each side jamb. Center the insert from top to bottom. Fasten each insert to the jamb using ten (10) - #8 x 1-1/4" flat head screws.



- 10** To install the fixed panel, lift the top into the outer track of the head. Swing the bottom of the panel in and place into the sill track. Push panel into jamb making sure it is fully seated in the track. Repeat on the opposite side.

NOTE: Four (4) weep holes have been punched in one end of each panel. This end will always be the bottom of the panel. The glazing bead around the perimeter of the glass will be toward the exterior.



11 After the fixed panel is in place, drill 1/8" pilot holes into the weather-strip track starting 6" from each end, with a maximum 12" spacing between the remaining screws. The drill bit needs to be a minimum of 4" in length to prevent damage to the frame. Install #8 x 7/8" self-drilling screws with a #6 flat head into each pilot hole.



12 Install astragal on the edge of the fixed panel (shown at the right). Caulk the astragal on the inside corner before attaching it to the fixed panel. Pre-drill 5/32" holes in panel before installing screws. Attach astragal to the panel using six (6) #8 x 2-1/2" at each two-stepped screw hole location.



Pre-drill holes into panel through two-stepped holes in astragal.

13 Install roller track. Before placing roller track in the sill, pre-drill six holes with a 1/8" drill bit—two (2) on the left 2" from the end, two (2) on the right 2" from the end and two (2) in the center, one on each side of the raise roller rail. Center the roller track in the pocket along the length of the sill and fasten with six (6) #6 x 1/2" screws.

NOTE: Remove roller track from the sill before pre-drilling the screw holes to prevent accidentally drilling completely through the frame.



Astragal



Weep holes



14 Install roller in the bottom of panel using two (2) - #8 x 1/2" flat head screws in each roller. Locate the roller so the roller adjustment screw is toward the edge of panel. The back of the roller housing sets against an aluminum reinforcement in the roller cutout. Make sure the roller sets flat against the aluminum. If it does not, the panel could become difficult to operate.



15 To install the operating panel, lift the top into the interior track of the head. Swing the bottom of panel in and place it into the interior track of the sill (make sure the rollers are completely retracted before attempting to install).



- 16** Adjust the rollers using a standard Phillips head screwdriver until the panel is centered from top to bottom and the lock side of the panel is parallel with the side jamb. Check the operation of the panel to see if any further adjustments are necessary.



NOTE: panel must be adjusted prior to installing the nylon bracket to access the roller adjustment.

- 17** Install nylon brackets in the top and bottom cutouts at the interlock and astragal area of the fixed panel. Brackets should rest against the bottom of the track in the head and sill. Screw each bracket in place using three (3) - #10 x 1-1/2" flat head screws. Pre-drill 1/8" holes before installing screws.

NOTE: If a hideaway screen is being used, do not install the exterior jamb cover until the screen has been installed.



- 18** Install nylon brackets in the top and bottom of the operating panel. Screw each bracket in place using three (3) - #10 X 1-1/2" flat head screws. Pre-drill 1/8" pilot holes before installing screws. Install the first screw in the slot to allow for up and down adjustment. When locating the nylon bracket on the operable panel, make sure to leave adequate clearance between the roller track and the head of the door for proper panel operation. After properly adjusting the nylon bracket install the remainder of the screws.



- 19** Install the pre-cut, snap-in jamb covers in interior track of both side jambs.

NOTE: If a hideaway screen is being used do not install the exterior jamb cover until the screen has been installed.



20

Install pre-cut sill and head covers over the non-operating side of the door—top and bottom. Head and sill covers will be notched on the back side of one end to allow clearance for the nylon bracket.

NOTE: THE SILL THRESHOLD COVER COULD BE VINYL OR ALUMINUM, DEPENDING ON THE DOOR MODEL OR COLOR.



21

Install pre-cut sill and head cover on astragal side of the fixed panel, top and bottom.



22

Install pre-cut 4 1/2" bumper stop in interior track of head and sill. The locking leg of the bumper stop is cut back on one end to allow for the nylon bracket. Caulk where the bumper stop meets the side jamb at the sill.



23

Install the multi-point mortise latch into the cutout located in the edge of the operating panel using two (2) - #8 x 3/4" flat head screws. Make sure the holes in the face of the panel line up with the receivers for the handle set before fastening the mortise latch to the panel.



24

Install lock handle assembly. Refer to the instructions in the Handle Set package.



25 Install the keeper using four (4) - #8 x 1-3/4" pan head truss screws. The top and bottom screws should be installed first, located at the dimple areas. Adjust as needed for the lock to work properly and then install the remaining two screws.



26 Install screen. (Note: For optional Hide-A-Way screen, refer to instructions provided in screen package). Lay screen track into outside accessory track, making sure slots in track line up with weeps in track. Insert top of screen into head track, and then using an appropriate tool, insert bottom of screen into track. Adjust top and bottom rollers so screen is plumb and rolls freely.



27 Test fit screen keeper for proper alignment and install keeper into track using screws provided. Pre-drilling screw holes is recommended.



28 Finish off the installation of the door's exterior by caulking around the perimeter of the door using a premium silicone caulk. Do not leave any gaps where water or outside elements can penetrate into the home. Pay close attention to not caulk over weeps when caulking across the sill.

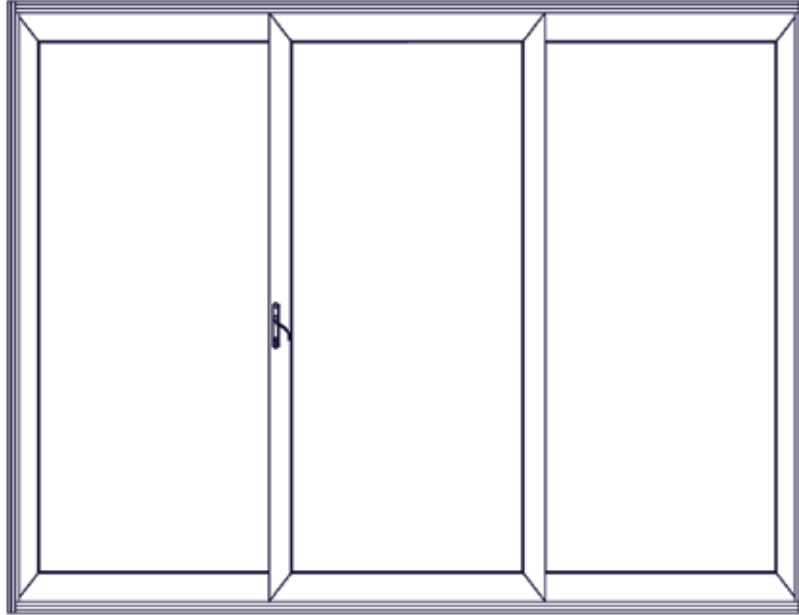


29 Finish off the installation of the door's interior by loosely inserting insulation between the door frame and the opening. Do not over pack the insulation or the frame could become bowed or twisted.

30 Remember: The homeowner is the final inspector. Clean the door well and remove all debris from the job site. Be sure the homeowner is familiar with the proper operation of door.

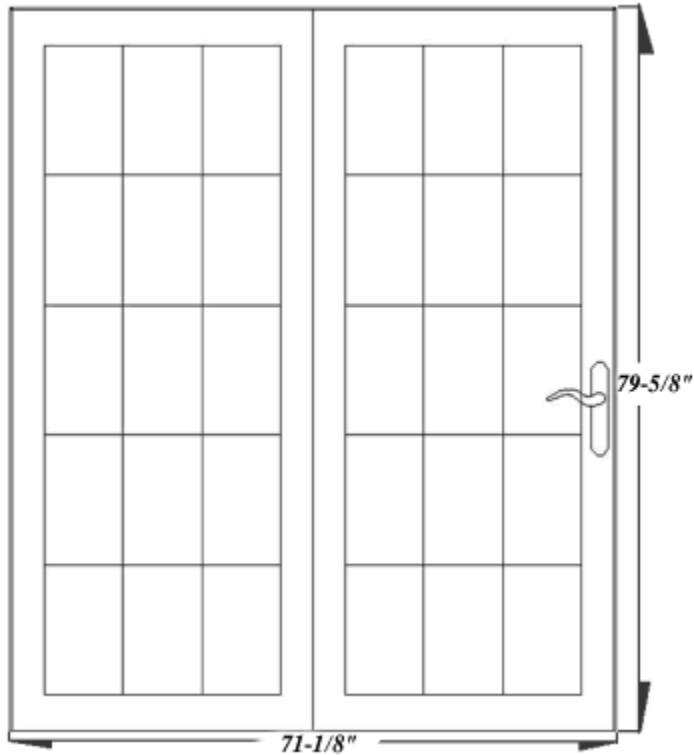
3-LITE PATIO DOOR

Installation Instructions



Simonton StormBreaker Plus® Vinyl 3-lite Patio Doors

- 9068 – 9080 – 12068 – 12080
- 1” Insulating Glass Unit w/Warm-edge Spacer System
- PVB/Tempered
- Sealant Glazed
- Specific hardware must be anchored to the opening. Refer to written installation instructions on the following page, AND to applicable drawings sealed by a Florida professional engineer.



Simonton StormBreaker Plus® Vinyl Garden Door

- 71-1/8" x 79-5/8" tip-to-tip
- 1" Insulating Glass Unit w/Warm-edge Spacer System
- PVB/Tempered
- Sealant Glazed
- Specific hardware must be anchored to the opening. Refer to written installation instructions on the following page, AND to applicable drawings sealed by a Florida professional engineer.

