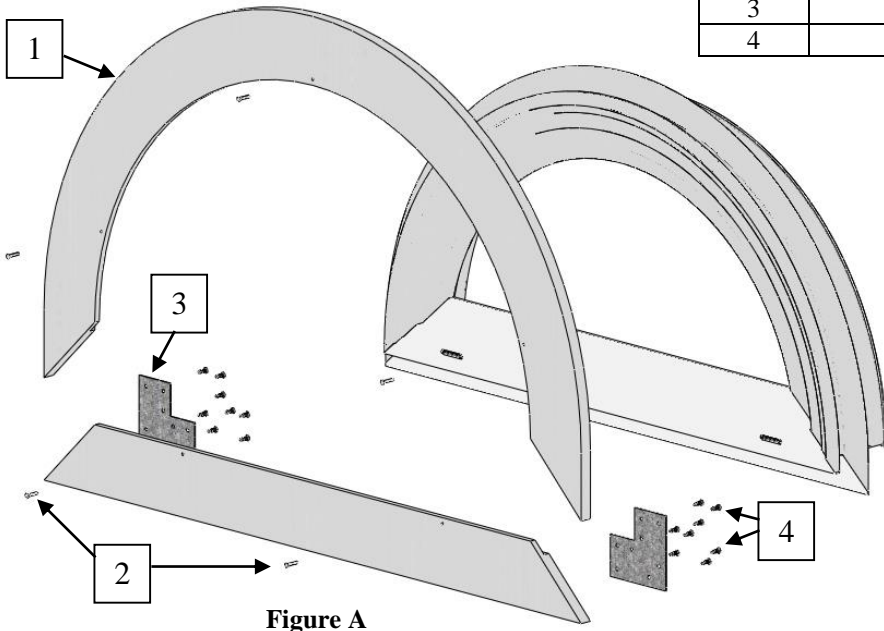


ASSEMBLY & INSTALLATION INSTRUCTIONS

! CASING MUST BE INSTALLED PRIOR TO EXTERIOR FINISH APPLICATION TO ALLOW FOR PROPER CASING FIT !

Item #	Description	Quantity
1	Flat Casing Assembly	1
2	Casing Attachment Screws	Varies with unit size
3	Corner Brackets	Varies with unit shape
4	Bracket Screws	8 per bracket



DRAWN TO SCALE

Figure A

Equal amount of visible window frame all around

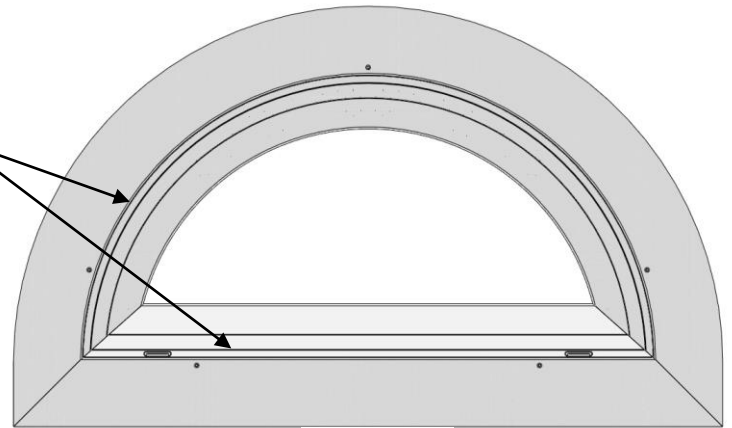


Figure B



WARNING: BEFORE PROCEEDING WITH CASING INSTALLATION, ENSURE THE WINDOW HAS BEEN PROPERLY INSTALLED AND FLASHED

IF THE CASING CAME FROM THE FACTORY PRE-ASSEMBLED, SKIP TO STEP 4

1. Lay the casing pieces out on a flat surface, notched side up, in the pattern that matches the shape of the window to which it will be installed
2. Lay a corner bracket across the joint on the back side of the casing. Holding the casing pieces together to form a tight corner, drive 8 screws (Item 4) through the holes in the bracket and into the casing
3. Repeat Step 2 for each remaining corner
4. Place assembled flat casing onto installed window. Center casing on window frame so that an equal amount of the window frame is visible on the inside of the casing all around (Fig. B)
5. Insert a screw (Item 2) into each of the pre-drilled holes in the casing and drive screws until screw head is flush with the face of the casing
6. If screw heads are not color matched to window / casing, paint the screw heads with the color-matched touch-up paint provided