

MULLED PATIO DOOR ASSEMBLY INSTRUCTIONS

Item #	Description	Quantity
1	Horizontal Brickmould Piece	2
2	Vertical Brickmould Piece	2

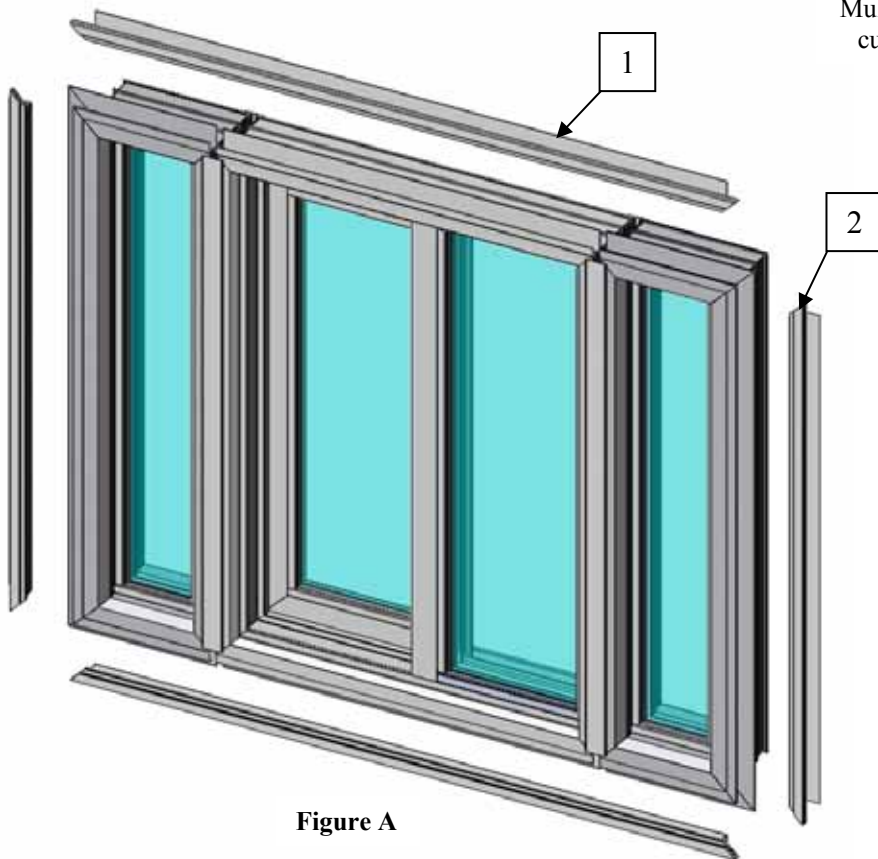


Figure A

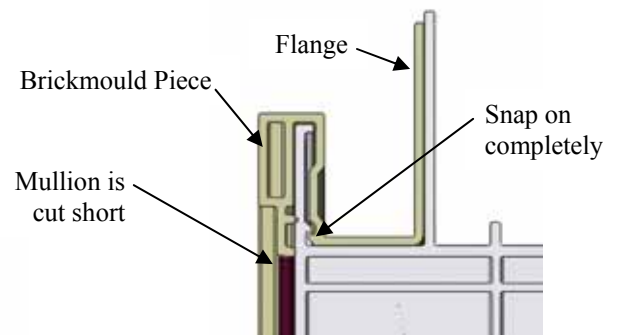


Figure B

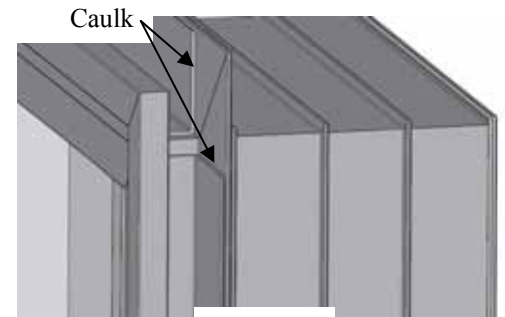


Figure C

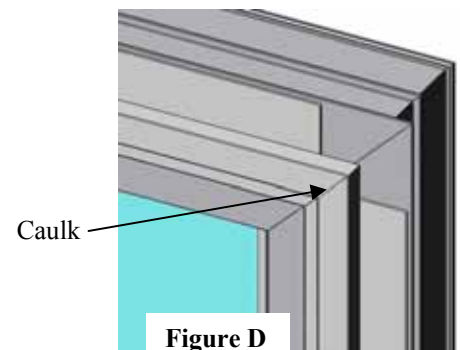


Figure D

IMPORTANT: READ THE INSTRUCTIONS AND FAMILIARIZE YOURSELF WITH THE PARTS AND PIECES BEFORE BEGINNING ASSEMBLY AND INSTALLATION



WARNING: AFTER BRICKMOULD ASSEMBLY, ENSURE THE DOOR IS PROPERLY INSTALLED AND FLASHED

- Check to see that all the Brickmould Accessory pieces are included
- Mull the sidelight(s) to the Patio Door, making sure that the mullion(s) are centered vertically
- Before fastening the door/sidelight assembly to the opening, snap the Brickmould pieces onto the top, bottom, and both sides. Be sure each section is snapped on completely (Fig. B) and centered on the frame. The mullion(s) are cut short to allow clearance for the Brickmould
- Install the door/sidelight assembly into the opening, following the installation instructions. Run installation screws through both the flange on the Brickmould accessory and the nailing fin on the door frame
- Caulk around the ends of the Brickmould flange at the nail fin with 100% silicone caulking (Fig. C)
- Install flashing to cover nailing fin and Brickmould flange all around
- Caulk any gaps at corners of Brickmould accessory (Fig. D) with color matched 100% silicone caulking