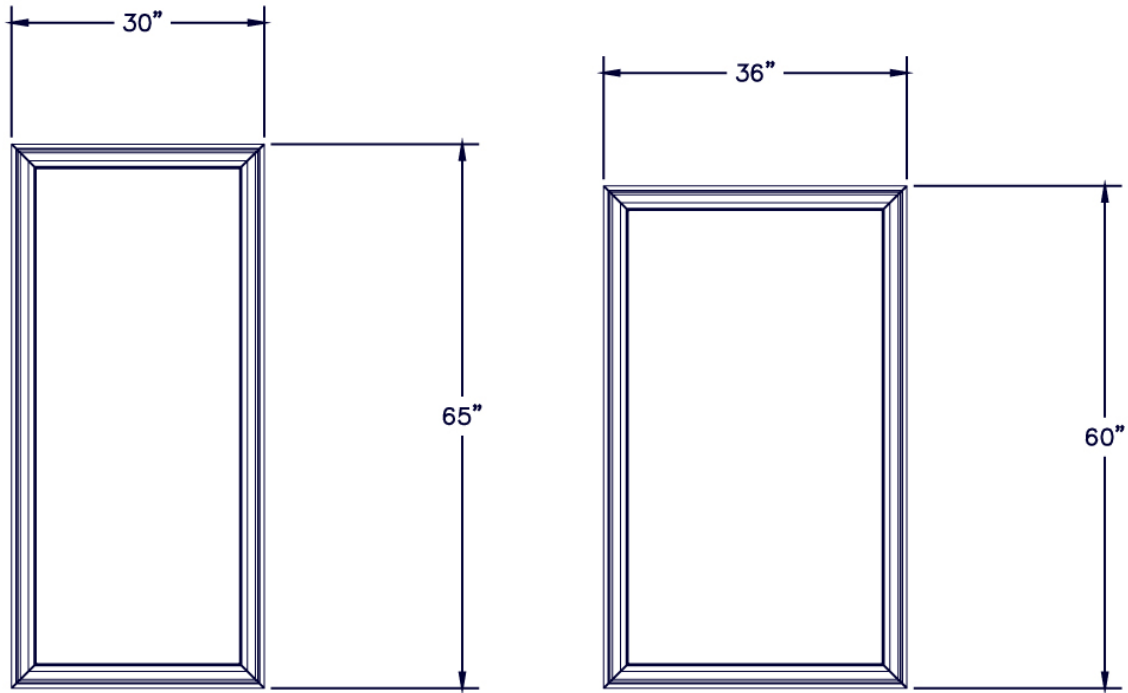


Casement

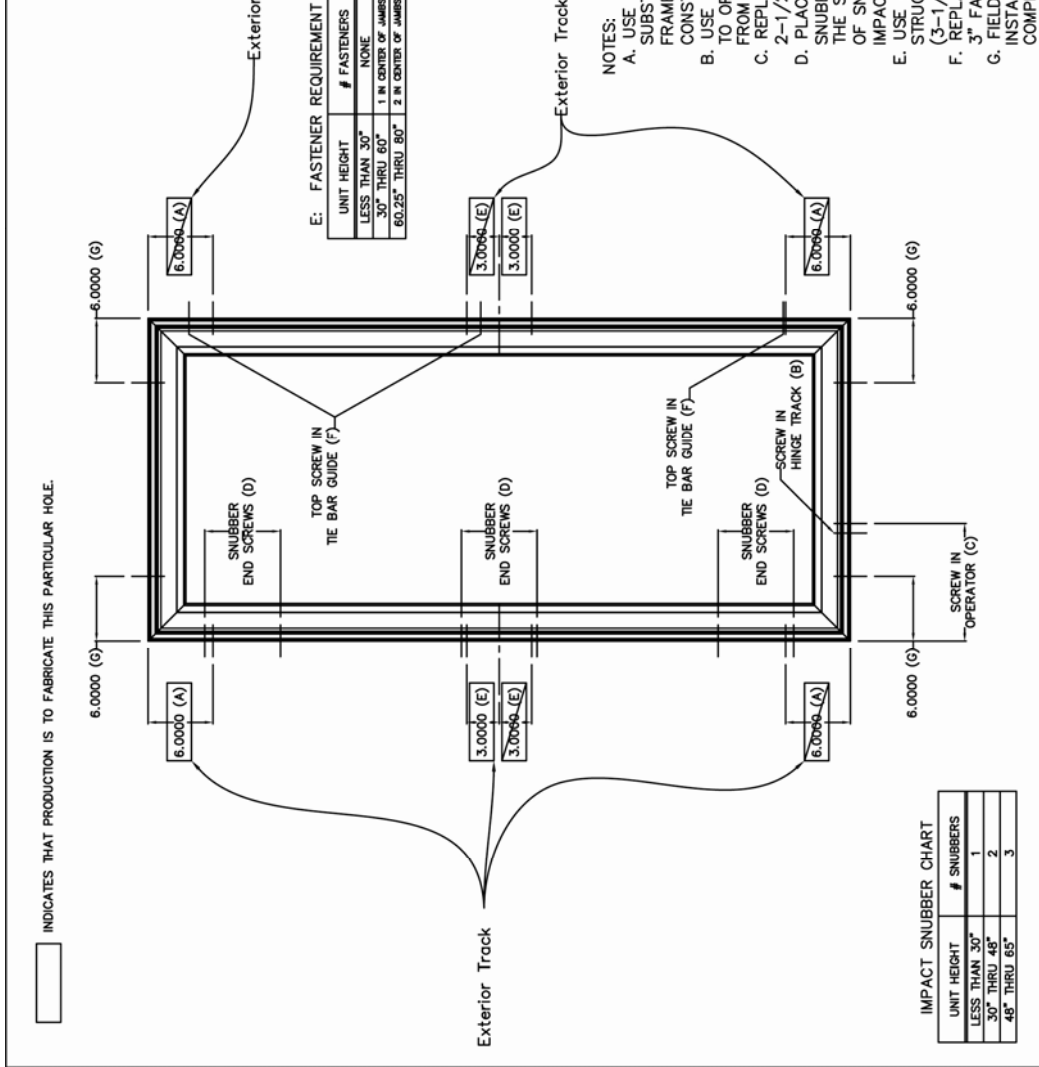


Product C:

Simonton StormBreaker Plus® Vinyl Casement

- 30" x 65" tip-to-tip or 36" x 60" tip-to-tip
- 1" Insulating Glass Unit w/Warm-edge Spacer System
- PVB/Tempered (all associated glass Double Strength or better)
- Sealant Glazed
- No Reinforcement
- Specific hardware must be anchored to the opening. Refer to written installation instructions AND to applicable drawings sealed by a Florida professional engineer.

REV. #	REVISIONS:	REVISED BY:	DATE:
1	REMOVED BRAND NAMES FROM THE SERIES.	T.D.D.	10/11/07
2	CHANGED DRAWING NUMBER FROM IN0034.	T.D.D.	01/09/08
.	.	.	.
.	.	.	.
.	.	.	.



E: FASTENER REQUIREMENT

UNIT HEIGHT	# FASTENERS
LESS THAN 30"	NONE
30" THRU 60"	1 IN CENTER OF JAMBS
60.25" THRU 80"	2 IN CENTER OF JAMBS

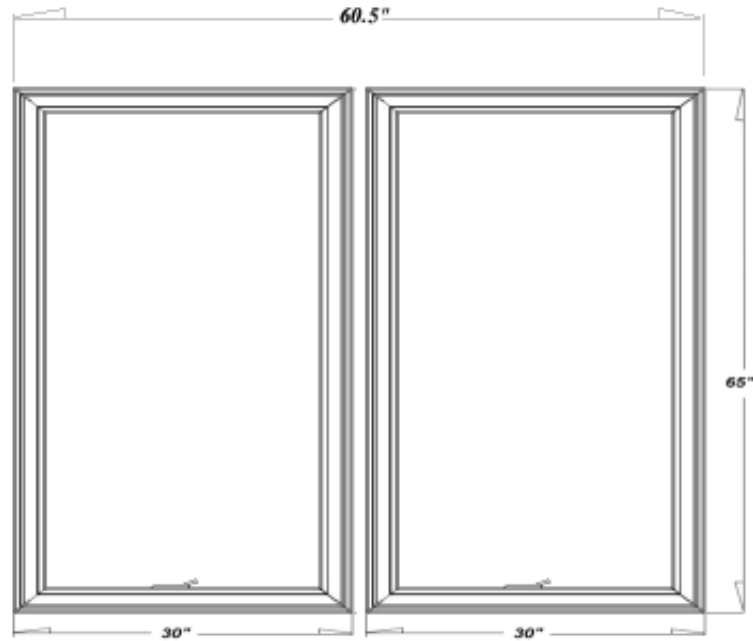
IMPACT SNUBBER CHART

UNIT HEIGHT	# SNUBBERS
LESS THAN 30"	1
30" THRU 48"	2
48" THRU 65"	3

- NOTES:
- USE #10 X 2-1/2" FASTENER TO ANCHOR UPPER AND LOWER JAMBS TO SUBSTRUCTURE. PLACE THE SCREW ON THE EXTERIOR PLANE OF THE FRAME (3-1/2" X 3/16" TAPCON TYPE ANCHOR IN CONCRETE CONSTRUCTION).
 - USE #8 X 2-1/2" FASTENER IN HINGE TRACKS TO ANCHOR HARDWARE TO OPENING AT THE HEAD AND SILL. LOCATE SCREW IN SECOND HOLE FROM END OF HINGE TRACK CLOSEST TO CENTER OF THE WINDOW.
 - REPLACE ONE OF THE CENTER SCREWS IN THE OPERATOR WITH A #8 X 2-1/2" FASTENER, ANCHORING THE OPERATOR TO THE SUBSTRUCTURE.
 - PLACE #8 X 2-1/2" FASTENER THROUGH HOLES IN EACH END OF THE 8" SNUBBERS (STORMBREAKER PLUS ONLY). THESE SCREWS WILL ANCHOR THE SNUBBER, THROUGH THE JAMB, TO THE SUBSTRUCTURE. THE NUMBER OF SNUBBERS IS REDUCED AS THE WINDOW HEIGHT DECREASES (SEE IMPACT SNUBBER CHART).
 - USE #10 X 2-1/2" FASTENER TO ANCHOR CENTER OF JAMBS TO SUBSTRUCTURE. LOCATE THE SCREWS ON THE EXTERIOR PLANE OF THE FRAME (3-1/2" X 3/16" TAPCON TYPE ANCHOR IN CONCRETE CONSTRUCTION).
 - REPLACE SCREW IN THE TOP HOLE OF EACH TIE BAR GUIDE WITH A #8 X 3" FASTENER, ANCHORING THE TIE BAR GUIDE TO THE SUBSTRUCTURE.
 - FIELD MULLED APPLICATIONS ONLY. SEE TWIN CASEMENT INSTRUCTIONS. INSTALLER WILL BE REQUIRED TO FABRICATE ADDITIONAL HOLES TO COMPLY WITH THE TWIN CASEMENT INSTALLATION REQUIREMENTS.

<p>INDICATES THAT PRODUCTION IS TO FABRICATE THIS PARTICULAR HOLE.</p>		<p>INDICATES THAT PRODUCTION IS TO FABRICATE THIS PARTICULAR HOLE.</p>	
<p>DISCLOSURE STATEMENT</p> <p>This document is the property of Simonton Windows, which retains all proprietary and other rights to its subject matter. This document is provided to the recipient on the expressed condition that it is not to be disclosed, reproduced in whole or part, nor used in conjunction with the design, manufacture or repair of goods for anyone other than Simonton Windows without its consent. This restriction does not limit the recipient's rights to utilize information contained in this document which is properly obtained from another source.</p>		<p>MATERIAL:</p> <p>RMS FINISH: _____</p> <p>EXCEPT AS NOTED AREA: _____</p> <p>ALLOY & TEMPER: _____</p> <p>WEIGHT: _____</p> <p>SURFACE AREA: _____</p> <p>FINISH TREATMENT: _____</p>	
<p>Dimensional Tolerances Unless Otherwise Specified</p>		<p>Decimals Angles</p> <p>.X ± .03</p> <p>.XX ± .01</p> <p>.XXX ± .005</p>	
<p>SIZE: DRAWING NO.: A IN0201</p> <p>REV.: 2</p>		<p>SIMONTON®</p> <p>W I N D O W S</p> <p>1 Cochran Avenue</p> <p>Pennsboro, WY 26415</p>	
<p>SCALE: FIT</p> <p>SHEET: 1 of 1</p>		<p>DRAWN BY: DATE: 09/10/02</p> <p>J.D.D.</p> <p>CHECKED BY: DATE:</p> <p>APPRVD BY: DATE:</p>	
<p>SERIES: RETROFIT, STORMBREAKER & STORMBREAKER PLUS - CS</p> <p>TITLE: FLORIDA RETROFIT INSTALLATION PROCEDURE</p>		<p>FILE: IN0201</p>	

Mulled Casements



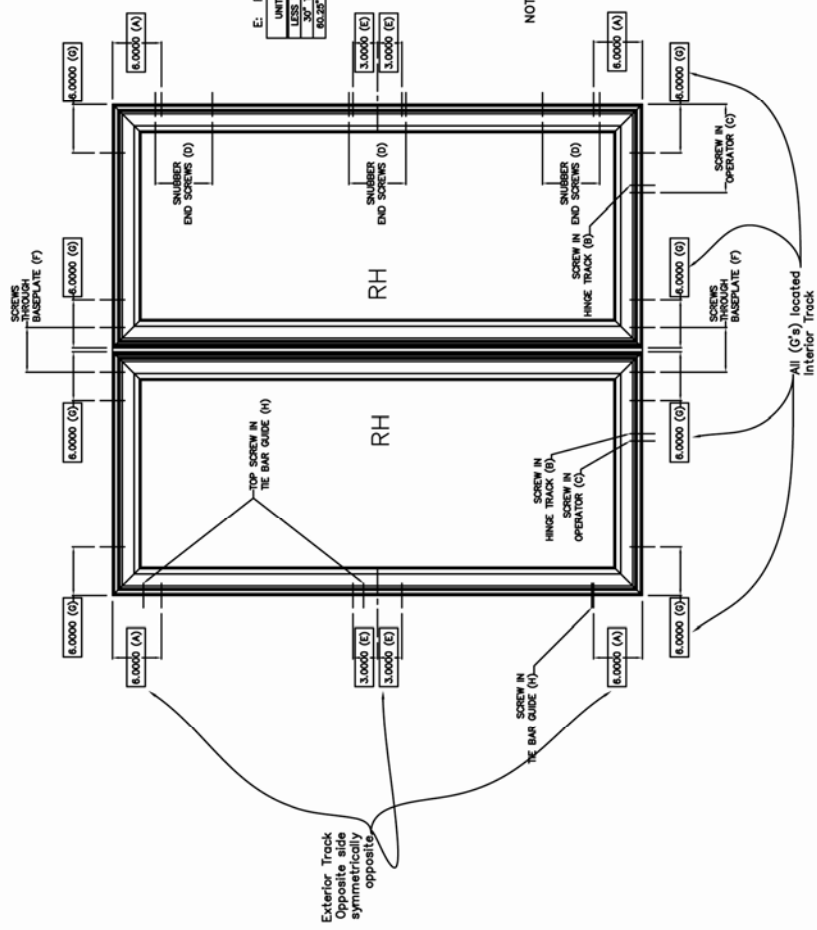
Product D:

- Simonton StormBreaker Plus® Vinyl Twin Casements
- 60.5" x 65" tip-to-tip
- 1" Insulating Glass Unit w/Warm-edge Spacer System
- PVB/Tempered (all associated glass Double-strength or better)
- Sealant Glazed
- Medium Reinforcement in Mullion ONLY
- Specific hardware must be anchored to the opening. Refer to written installation instructions on AND to applicable drawings sealed by a Florida professional engineer.

REV. #	REVISED BY:	DATE:
1	T.D.D.	01/09/08
.	.	.
.	.	.
.	.	.
.	.	.

CHANGED DRAWING NUMBER FROM IN0036.

INDICATES THAT PRODUCTION IS TO FABRICATE THIS PARTICULAR HOLE.



E. FASTENER REQUIREMENT

UNIT HEIGHT	# FASTENERS
LESS THAN 30"	NONE
30" THRU 48"	1 IN CENTER OF JAMB
48" THRU 65"	2 IN CENTER OF JAMB

- NOTES:
- A: USE #10 X 2-1/2" FASTENER TO ANCHOR UPPER AND LOWER JAMBS TO SUBSTRUCTURE. PLACE THE SCREW ON THE EXTERIOR PLANE OF THE FRAME. (3-1/2" X 3/16" TAPCON TYPE ANCHOR IN MASONRY CONSTRUCTION)
 - B: USE #8 X 2-1/2" FASTENER IN HINGE TRACKS TO ANCHOR HARDWARE TO OPENING AT THE INTERIOR PLANE OF THE WINDOW.
 - C: REPLACE ONE OF THE CENTER SCREWS IN THE OPERATOR WITH A #8 X 2-1/2" FASTENER. ANCHORING THE OPERATOR TO THE SUBSTRUCTURE.
 - D: PLACE #8 X 2-1/2" FASTENER THROUGH HOLES IN EACH END OF THE 8" SNUBBERS (STORMBREAKER PLUS ONLY). THESE SCREWS WILL ANCHOR THE SNUBBER, THROUGH THE HINGE TRACK, TO THE SUBSTRUCTURE. THE SNUBBER'S HEIGHT SHOULD BE THE SAME AS THE HEIGHT DECREASES (SEE IMPACT SNUBBER CHART). THIS STEP IS NOT REQUIRED WHERE SNUBBER IS ATTACHED TO THE MULLION.
 - E: USE #10 X 2-1/2" FASTENER TO ANCHOR CENTER OF JAMBS TO SUBSTRUCTURE. LOCATE THE SCREWS ON THE EXTERIOR PLANE OF THE FRAME. (3-1/2" X 3/16" TAPCON TYPE ANCHOR IN MASONRY CONSTRUCTION)
 - F: USE #8 X 1-1/2" FASTENER (2-1/2" X 3/16" TAPCON TYPE IN MASONRY CONSTRUCTION) TO ANCHOR BASEPLATES TO HEAD AND SILL IN 2X CONSTRUCTION.
 - G: USE #10 X 1-1/2" FASTENER (4-1/2" X 3/16" TAPCON TYPE ANCHOR IN MASONRY CONSTRUCTION) TO ANCHOR SILL AND HEAD TO SUBSTRUCTURE. LOCATE THE FASTENERS ON THE INTERIOR PLANE OF THE FRAME.
 - H: REPLACE SCREW IN THE TOP HOLE OF EACH TIE BAR GUIDE WITH A #8 X 3" FASTENER. ANCHORING THE TIE BAR GUIDE TO THE SUBSTRUCTURE. THIS STEP IS NOT REQUIRED WHERE THE TIE BAR IS ATTACHED TO THE MULLION.

IMPACT SNUBBER CHART

UNIT HEIGHT	# SNUBBERS
LESS THAN 30"	1
30" THRU 48"	2
48" AND 65"	3

SIMONTON
WINDOWS
1 Cochran Avenue
Pensacola, WV 26415

SCALE: FIT
SHEET: 1 of 1
SERIES: RETROFIT, SB, & SBP - H-MULLED CS (RH/RH)
TITLE: FLORIDA INSTALLATION PROCEDURE

SIZE: DRAWING NO.: A-IN0203
DRAWN BY: J.D.D. DATE: 09/10/02
CHECKED BY: DATE:

Dimensional Tolerances Unless Otherwise Specified

Decimals Angles
.X ± .03
.XX ± .01
.XXX ± .005

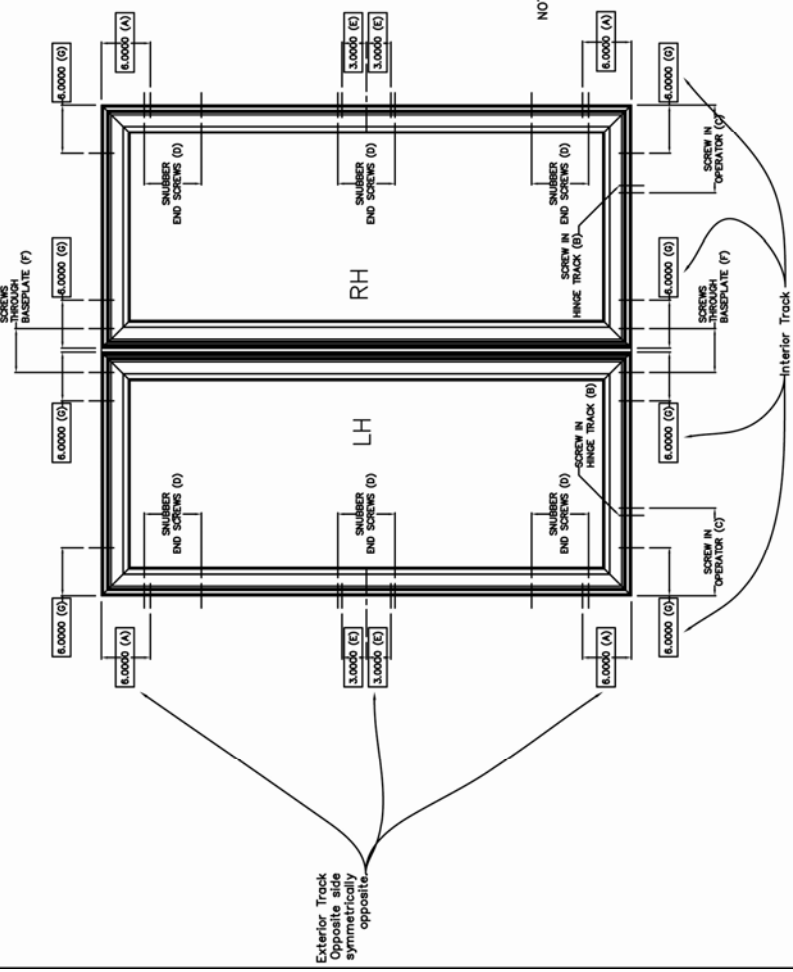
MATERIAL:	RMS FINISH:	EXCEPT AS NOTED
ALLOY & TEMPER:	AREA:	
WEIGHT:	VOLUME:	
SURFACE AREA:	PERIMETER:	
FINISH TREATMENT:		

DISCLOSURE STATEMENT
This document is the property of Simonton Windows, which retains all proprietary and other rights to its subject matter. This document is provided to the recipient on the expressed condition that it is not to be disclosed, reproduced in whole or in part, nor used in conjunction with the design, manufacture or repair of goods for anyone other than Simonton Windows without its consent. This restriction does not limit the recipient's rights to utilize information contained in this document which is properly obtained from another source.

REV. #	REVISED BY:	DATE:
1	T.D.D.	01/09/08.
.	.	.
.	.	.
.	.	.

REV. #	REVISIONS:
1	CHANGED DRAWING NUMBER FROM IN0037.
.	.
.	.
.	.

INDICATES THAT PRODUCTION IS TO FABRICATE THIS PARTICULAR HOLE.



E. FASTENER REQUIREMENT

UNIT HEIGHT	# FASTENERS
LESS THAN 30"	NONE
30" THRU 48"	1 IN CENTER OF JAMB
48" THRU 60"	1 IN CENTER OF JAMB
60" THRU 84"	1 IN CENTER OF JAMB

- NOTES:
- A: USE #10 X 2-1/2" FASTENER TO ANCHOR UPPER AND LOWER JAMBS TO SUBSTRUCTURE. PLACE THE SCREW ON THE EXTERIOR PLANE OF THE FRAME. (3-1/2" X 3/16" TAPCON USE ANCHOR IN FASTENER THROUGH TRACKS TO ANCHOR HARDWARE TO OPENING AT THE HEAD AND SILL. LOCATE SCREW IN SECOND HOLE FROM THE END OF THE HINGE TRACK CLOSEST TO THE CENTER OF THE WINDOW.
 - B: REPLACE ONE OF THE CENTER SCREWS IN THE OPERATOR WITH A #8 X 2-1/2" FASTENER. ANCHORING THE OPERATOR TO THE SUBSTRUCTURE.
 - C: PLACE #8 X 2-1/2" FASTENER THROUGH HOLES IN EACH END OF THE 8" SNUBBERS TO ANCHOR THEM TO THE SUBSTRUCTURE. THE NUMBER OF SNUBBERS IS REDUCED AS THE WINDOW JAMB TO THE SUBSTRUCTURE HEIGHT DECREASES. (SEE IMPACT SNUBBER CHART) THIS STEP IS NOT REQUIRED WHERE SNUBBER IS ATTACHED TO THE MULLION.
 - D: USE #10 X 2-1/2" FASTENER TO ANCHOR CENTER OF JAMBS TO SUBSTRUCTURE. LOCATE THE SCREWS ON THE EXTERIOR PLANE OF THE FRAME. (3-1/2" X 3/16" TAPCON TYPE ANCHOR USE #8 SPOKES-ON FASTENER (3-1/2" X 3/16" TAPCON TYPE IN MASONRY CONSTRUCTION) TO ANCHOR BASEPLATES TO HEAD AND SILL IN 2X CONSTRUCTION)
 - E: USE #10 X 2-1/2" FASTENER (4" X 3/16" TAPCON TYPE ANCHOR IN MASONRY CONSTRUCTION) TO ANCHOR SILL AND HEAD TO SUBSTRUCTURE. LOCATE THE FASTENERS ON THE INTERIOR PLANE OF THE FRAME.

IMPACT SNUBBER CHART

UNIT HEIGHT	# SNUBBERS
LESS THAN 30"	1
30" THRU 48"	2
48" AND 65"	3

SIMONTON
W I N D O W S
1 Cochran Avenue
Pennsboro, WV 26415

SCALE: FIT
SHEET: 1 of 1
SERIES: RETROFIT, SB, & SBP - H-MULLED CS (LH/RH)
TITLE: FLORIDA INSTALLATION PROCEDURE

SIZE: DRAWING NO.: A IN0204
REV: 1
DRAWN BY: DATE: 09/10/02
CHECKED BY: DATE:

Dimensional Tolerances Unless Otherwise Specified

Decimals Angles
.X ± .03
.XX ± .01
.XXX ± .005

MATERIAL:	RMS FINISH:	EXCEPT AS NOTED
ALLOY & TEMPER:	AREA:	
WEIGHT:	VOLUME:	
SURFACE AREA:	PERIMETER:	
FINISH TREATMENT:		

DISCLOSURE STATEMENT
This document is the property of Simonton Windows, which retains all proprietary and other rights to its subject matter. This document is provided to the recipient on the expressed condition that it is not to be disclosed, reproduced in whole or in part, nor used in conjunction with the design, manufacture or repair of goods for anyone other than Simonton Windows without its consent. This restriction does not limit the recipient's rights to utilize information contained in this document which is properly obtained from another source.

FILE: IN0204