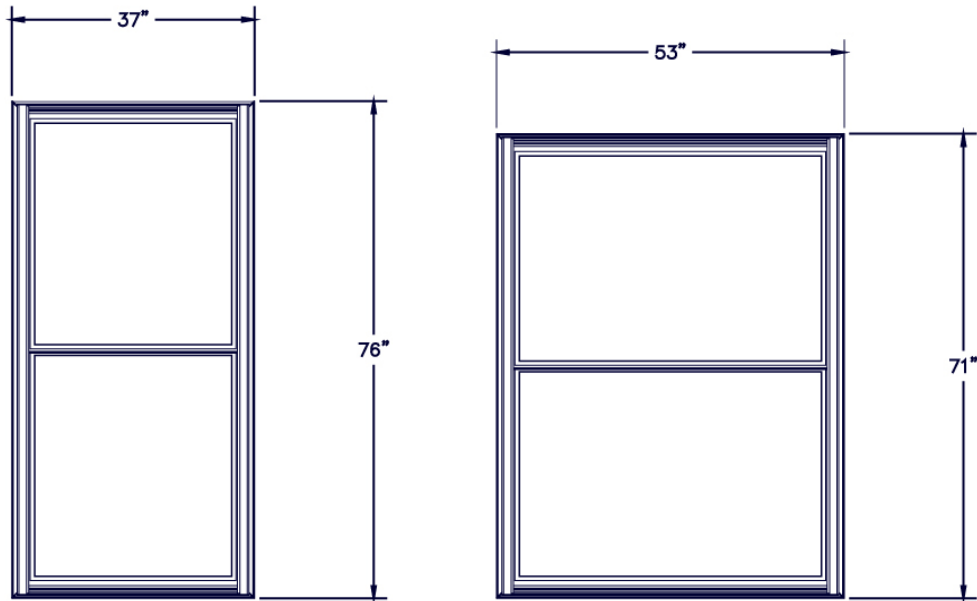


Double Hung



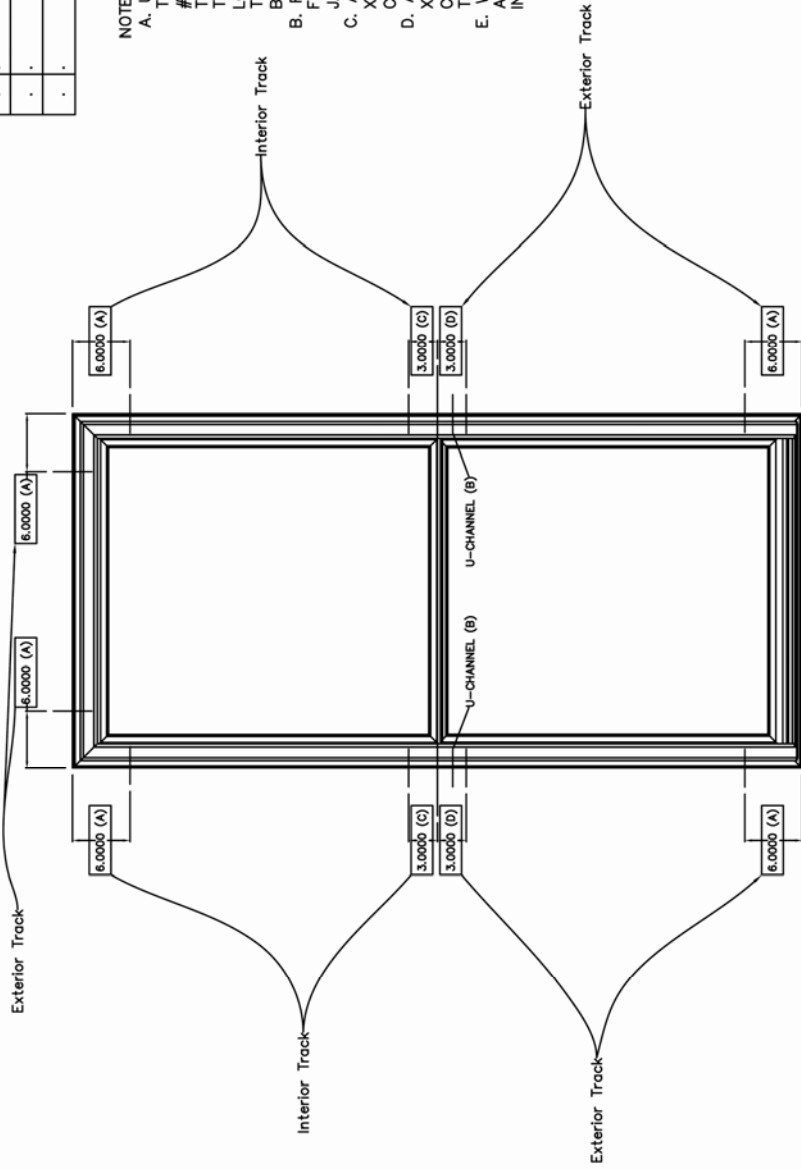
Product A:

Simonton StormBreaker Plus® Vinyl Double Hung

- 37" x 76" tip-to-tip or 53" x 71" tip-to-tip
- 1" Insulating Glass Unit w/Warm-edge Spacer System
- PVB/Tempered (all associated glass Double-strength or better)
- Sealant Glazed
- A9 Reinforcement
- Double Locks
- Specific hardware must be anchored to the opening. Refer to written installation instructions on AND to applicable drawings sealed by a Florida professional engineer.

REV. #	REVISIONS:	REVISED BY:	DATE:
1	REMOVED BRAND NAMES FROM THE SERIES.	T.D.D.	10/10/07
2	CHANGED DRAWING NUMBER FROM IN0001.	T.D.D.	01/08/08
.	.	.	.
.	.	.	.
.	.	.	.

INDICATES THAT PRODUCTION IS TO FABRICATE THIS PARTICULAR HOLE.



- NOTES:
- USE A #10 X 2-1/2" FASTENER IN EXTERIOR TRACK OF THE HEAD TO ANCHOR HEAD TO SUBSTRUCTURE. USE A #10 X 2-1/2" FASTENER IN THE EXTERIOR BALANCE TRACK 6" ABOVE THE SILL, AND 6" ABOVE THE HEAD IN THE INTERIOR BALANCE TRACK, ANCHORING UPPER AND LOWER JAMBS TO SUBSTRUCTURE (USE 3-1/2" X 3/16" TAPCON TYPE ANCHOR IN CONCRETE CONSTRUCTION IN BOTH HEAD AND JAMBS).
 - REPLACE FASTENER IN U-CHANNEL WITH A #8 X 2-1/2" FASTENER WHICH WILL ANCHOR U-CHANNEL THROUGH THE JAMB TO THE SUBSTRUCTURE (STORMBREAKER PLUS ONLY).
 - ANCHOR THROUGH THE JAMB TO THE OPENING WITH A #10 X 2" FASTENER (3" X 3/16" TAPCON TYPE IN CONCRETE CONSTRUCTION). LOCATE IN INTERIOR BALANCE TRACK.
 - ANCHOR THROUGH THE JAMB TO THE OPENING WITH A #10 X 2-1/2" FASTENER (3-1/2" X 3/16" TAPCON TYPE IN CONCRETE CONSTRUCTION). LOCATE IN EXTERIOR BALANCE TRACK.
 - WHEN HEAD EXPANDERS ARE USED, INSTALLER MUST ADJUST ANCHOR LENGTH TO MAINTAIN MINIMUM EMBEDMENT INTO SUBSTRUCTURE.

		SIZE: DRAWING NO.: A IN0172 REV.: 2
1 Cochran Avenue Pennsboro, WV 26415		DRAWN BY: J.D.D. DATE: 09/10/02 CHECKED BY: DATE:
SCALE: FIT SHEET: 1 of 1	APPROVD BY: DATE:	
SERIES: RETROFIT, STORMBREAKER, & STORMBREAKER PLUS - DH		
TITLE: FLORIDA RETROFIT INSTALLATION PROCEDURE		

Dimensional Tolerances Unless Otherwise Specified	Decimals .X ± .03 .XX ± .01 .XXX ± .005	Angles 0° ± 30 min.
--	--	------------------------

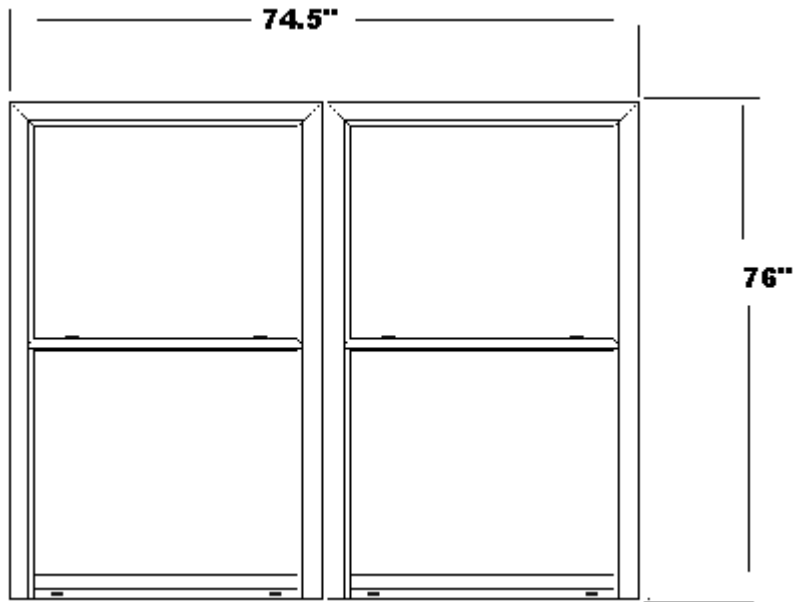
MATERIAL:	
RMS FINISH: EXCEPT AS NOTED	AREA:
ALLOY & TEMPER:	VOLUME:
WEIGHT:	PERIMETER:
SURFACE AREA:	FINISH TREATMENT:

DISCLOSURE STATEMENT

This document is the property of Simonton Windows, which retains all proprietary and other rights to its subject matter. This document is provided to the recipient on the expressed condition that it is not to be disclosed, reproduced in whole or part, nor used in conjunction with the design, manufacture or repair of goods for anyone other than Simonton Windows without its consent. This restriction does not limit the recipient's rights to utilize information contained in this document which is properly obtained from another source.

FILE: IN0172

Twin Double Hungs



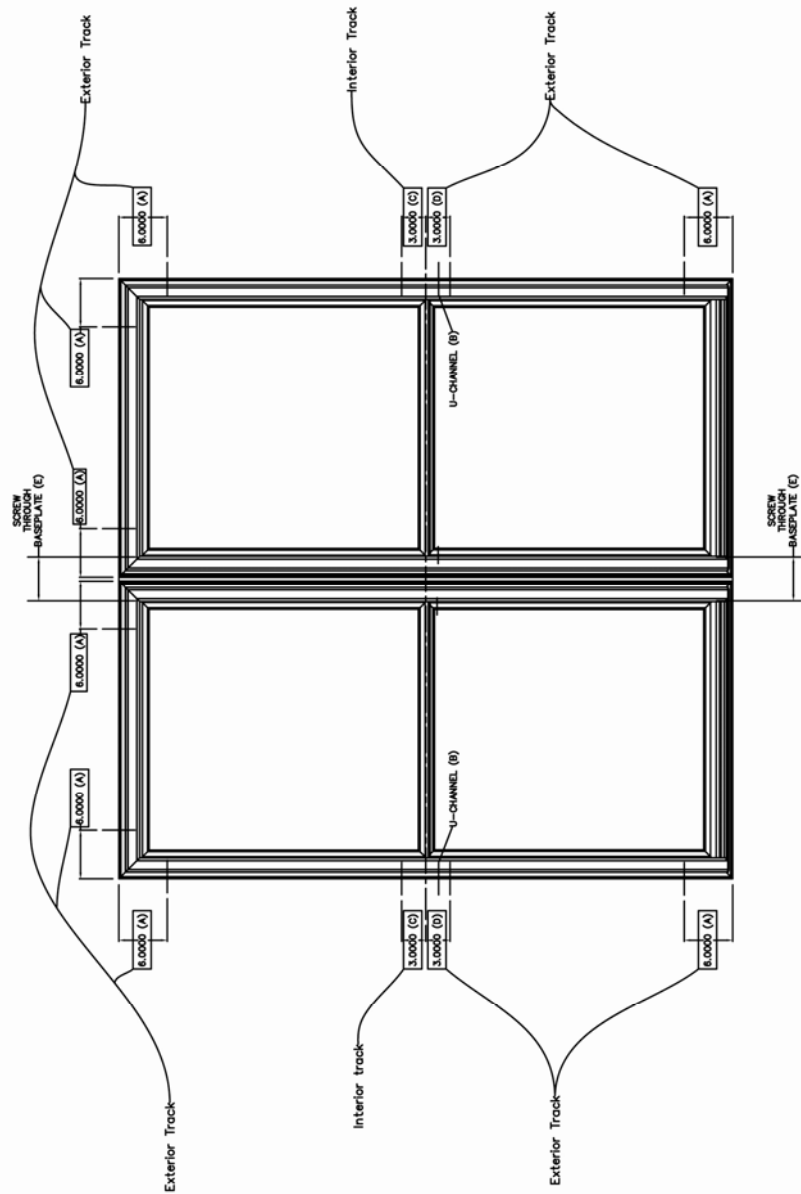
Product A:

Simonton StormBreaker Plus® Vinyl Double Hung

- 74.5" x 76" tip-to-tip not to exceed size in width or in height
- 1" Insulating Glass Unit w/Warm-edge Spacer System
- PVB/Tempered (all associated glass Double-strength or better)
- Sealant Glazed
- A9 Reinforcement
- Double Locks
- Specific hardware must be anchored to the opening. Refer to written installation instructions AND to applicable drawings sealed by a Florida professional engineer.

REV. #	REVISIONS:	REVISED BY:	DATE:
1	REMOVED BRAND NAMES FROM THE SERIES.	T.D.D.	10/11/07
2	CHANGED DRAWING NUMBER FROM IN0004.	T.D.D.	01/08/08
.	.	.	.
.	.	.	.
.	.	.	.

□ INDICATES THAT PRODUCTION IS TO FABRICATE THIS PARTICULAR HOLE



NOTES:
 A. USE A #10 X 2-1/2" FASTENER IN EXTERIOR TRACK OF THE HEAD TO ANCHOR HEAD TO SUBSTRUCTURE. USE A #10 X 2-1/2" FASTENER IN THE EXTERIOR BALANCE TRACK 6" ABOVE THE SILL AND IN THE INTERIOR BALANCE TRACK 6" BELOW THE HEAD, ANCHORING UPPER AND LOWER JAMBS TO SUBSTRUCTURE.
 B. REPLACE FASTENER IN U-CHANNEL WITH A #8 X 2-1/2" FASTENER WHICH WILL ANCHOR U-CHANNEL THROUGH THE JAMB TO THE SUBSTRUCTURE. IT IS NOT NECESSARY TO REPLACE SCREW IN U-CHANNEL THAT IS ANCHORED TO THE MULLION. (THIS APPLIES TO STORMBREAKER PLUS & DT WINDOWS ONLY)
 C. ANCHOR THROUGH THE JAMB TO THE OPENING WITH A #10 X 2" FASTENER (3" X 3/16" TAPCON TYPE IN CONCRETE CONSTRUCTION). LOCATE IN INTERIOR BALANCE TRACK.
 D. ANCHOR THROUGH THE JAMB TO THE OPENING WITH A #10 X 2-1/2" FASTENER (3-1/2" X 3/16" TAPCON TYPE IN CONCRETE CONSTRUCTION). LOCATE IN THE EXTERIOR BALANCE TRACK.
 E. USE #8 X 1-1/2" FASTENER (1-1/2" X 3/16" TAPCON TYPE IN CONCRETE CONSTRUCTION) TO ANCHOR BASEPLATES TO HEAD AND SILL IN 2X CONSTRUCTION.
 F. WHEN HEAD EXPANDERS ARE USED, INSTALLER MUST ADJUST ANCHOR LENGTH TO MAINTAIN MINIMUM EMBEDMENT.

SIMONTON
 W I N D O W S
 1 Cochran Avenue
 Pennsboro, WV 26415

SIZE: DRAWING NO.: A IN0174 REV.: 2
 DRAWN BY: J.D.D. DATE: 09/10/02
 CHECKED BY: DATE:

SCALE: FIT SHEET: 1 of 1 APPRVD BY: DATE:
 SERIES: RETROFIT, STORMBREAKER & STMBRKR PLUS - DH TWIN
 TITLE: FLORIDA RETROFIT INSTALLATION PROCEDURE

Dimensional Tolerances Unless Otherwise Specified	
Decimals	Angles
.X ± .03	0' ± 30 min.
.XX ± .01	
.XXX ± .005	

MATERIAL:	
RMS FINISH:	EXCEPT AS NOTED
ALLOY & TEMPER:	AREA:
WEIGHT:	VOLUME:
SURFACE AREA:	PERIMETER:
FINISH TREATMENT:	

DISCLOSURE STATEMENT
 This document is the property of Simonton Windows, which retains all proprietary and other rights to its subject matter. This document is provided to the recipient on the expressed condition that it is not to be disclosed, reproduced in whole or part, nor used in conjunction with the design, manufacture or repair of goods for anyone other than Simonton Windows without its consent. This restriction does not limit the recipient's rights to utilize information contained in this document which is properly obtained from another source.

FILE: IN0174